

1 2 3 4 5

A

A

B

B

C

C

D

D

E

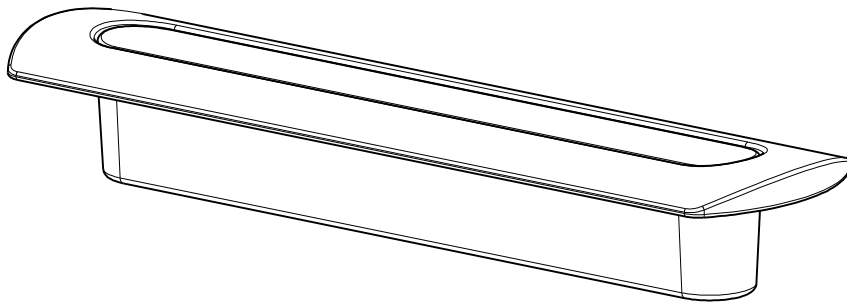
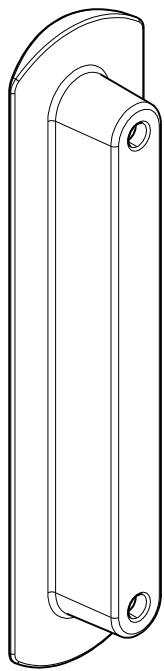
E

F

F

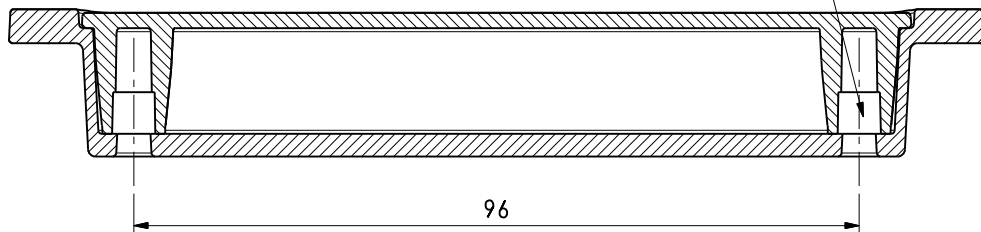
G

G



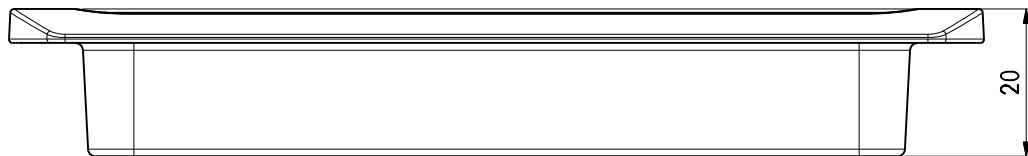
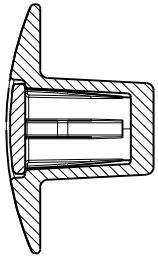
Sez. B-B

M4 (2x)

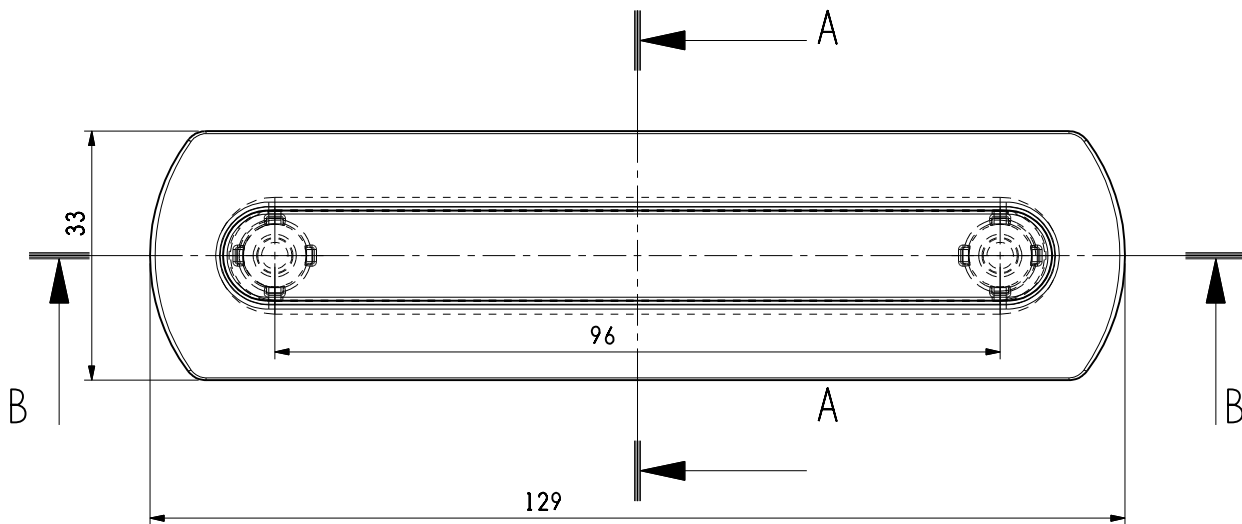


96

Sez. A-A



20



MATERIAL: ABS + TPE

REV	POSITION	DESCRIPTION	DATE	NAME
			CREATED BY ***** CREATION DATE *****	FORMAT A4 SCALE 1:1 REVISION *** SHEET 1/1
ART. 086896		FILENAME ***** CLIENT *****	PART CODE *****	TOOL CODE *****
PROJECT NAME *****		CHECKED BY *****	CHECKED_DATE *****	*****

1 2 3 4 5